

DATA SHEET

Load Cells - Regular



Load cell with Digital tester and printer during the calibration of a compression tester.

General description

These cells have been designed to be affordable and to meet the stringent requirement of EN, ISO and ASTM Standards, for calibration of compression testing machines. The cells have to be connected to a suitable Digital tester as, for example, our model 82-P0801/E Digimax Plus.

The Load cells connected to the Digital tester, can be supplied complete with Official or Traceable calibration certificate which, as specified, concern either the cell or the digital tester.

Main features

- High accuracy: Class 1 EN ISO 376
- Stainless steel construction
- Can be supplied with Official or Traceable calibration certificate

Standards

- EN 12390-4
- ASTM C39
- ASTM E74
- EN ISO 376

Specifications

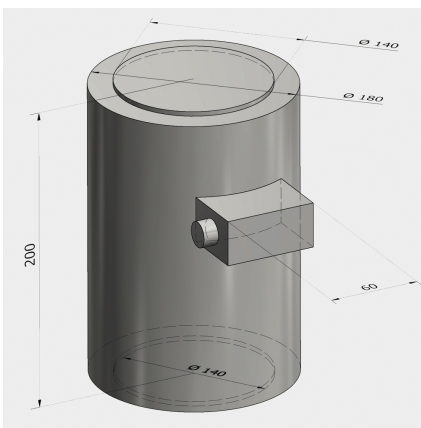
Material: Stainless steel

Nominal load: 300, 600 1000, 2000, 3000, 5000 kN

Limit load: 150 % of full scale

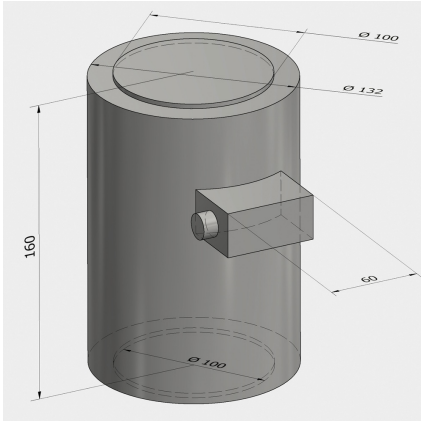
DATA SHEET

Breaking load: 300 % of full scale
Supply voltage: Maximum 15 V dc
Output signal: 2 mV/V
Output tolerance: 0,1 % of full scale
Zero tolerance: 1 % of full scale
Linearity: 0,1 % of full scale
Hysteresis: 0,1 % of full scale
Repeatability: 0,03 % of full scale
Insulation resistance: $\geq 2000 \text{ M}\Omega$
Input resistance: 350 – 360 Ω
Output resistance: 350 – 353 Ω
Creep (30 minutes): 0,1 % of full scale
Protection class: IP 68
Operating temperature: -20 °C / + 70 °C
Thermal compensation: - 10 °C / + 40 °C
Temperature deviation full scale: 0,002 % of full scale/°C
Temperature deviation zero: 0,003 % of full scale/°C
Repeatability 0°-120°-240° (b): $\leq \pm 0,145 \%$
Interpolation (fc): $\leq \pm 0,090 \%$
Reversibility (u): $\leq \pm 0,240 \%$
Zero (f0): $\leq \pm 0,030 \%$ of full scale



Load cell 5000kN

DATA SHEET



Load cell from 300 to 3000kN

Products

82-E0100/30G

Load cell 300 kN class 1 to EN ISO 376. Supplied complete with carrying case. Calibration certificate to be ordered separately when purchased with digital readout unit

82-E0100/60G

Load cell 600 kN class 1 to EN ISO 376. Supplied complete with carrying case. Calibration certificate to be ordered separately when purchased with digital readout unit

82-E0100/100G

Load cell 1000 kN class 1 to EN ISO 376. Supplied complete with carrying case. Calibration certificate to be ordered separately when purchased with digital readout unit

82-E0100/200G

Load cell 2000 kN class 1 to EN ISO 376. Supplied complete with carrying case. Calibration certificate to be ordered separately when purchased with digital readout unit

82-E0100/300G

Load cell 3000 kN class 1 to EN ISO 376. Supplied complete with carrying case. Calibration certificate to be ordered separately when purchased with digital readout unit

82-E0100/500G

Load cell 5000 kN class 1 to EN ISO 376. Supplied complete with carrying case. Calibration certificate to be ordered separately when purchased with digital readout unit

Accessories and consumables

82-E0100/ACC4

Official ACCREDIA (EAL) calibration certificate for the load cell connected to suitable digital tester for force verification. Calibration to EN ISO 376, 10 points, 4 cycles. (increasing forces only). Suitable for load cells from >1000 to 5000 kN.

82-E0100/TRC

DATA SHEET

Traceable calibration certificate for the load cell connected to suitable digital tester for force verification. Compatible with 5 kN up to 5000 kN capacity load cells.

82-E0100/ACC2

Official ACCREDIA (EAL) calibration certificate for the load cell connected to suitable digital tester for force verification. Calibration to EN ISO 376, 10 points, 4 cycles. (increasing forces only). Suitable for load cells from >10 to 600 kN

82-E0100/ACC3

Official ACCREDIA (EAL) calibration certificate for the load cell connected to suitable digital tester for force verification. Calibration to EN ISO 376, 10 points, 4 cycles. (increasing forces only). Suitable for load cells from >600 to 1000 kN.